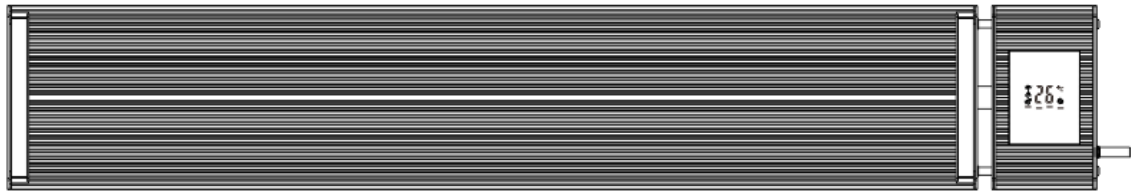


INFRARED HEATER



13W Series

OWNER'S MANUAL

READ AND SAVE THESE INSTRUCTIONS

Read all instructions carefully before setting up and operating this unit.

This manual is designed to provide you with important information needed to setup, operate, maintain for your radiant heaters.

Failure to follow these instructions may damage and/or impair its operation and void the warranty.



1. SAFETY PRECAUTIONS

This appliance is not intended for use by persons (including children) with reduced physical sensory or mental capabilities, or lack of experience and knowledge, unless they have been given supervision or instruction concerning use of the appliance by a person responsible for their safety.

Children should be supervised to ensure that they do not play with the appliance.

WARNING: In order to avoid overheating, do not cover the heater.

1. If the supply cord is damaged, it must be replaced by the manufacturer, its service agent or similarly qualified persons in order to avoid a hazard.
2. The heater must not be located immediately below a socket outlet.
3. Do not use the same socket together with other appliances, in case of current overload. Make sure the plug and socket good contact.
4. Please pull plugs out when power off. Do not pull wires by hands.
5. Please stop power immediately once heaters failure or wires arc broken. Users can not repair heaters by themselves. Please contact authorized servicer for maintenance if heaters failure.
6. Radiant heater cannot be placed directly below the power outlet.
7. Radiant heater surface temperature is high, must be installed higher than 22 meters above ground.
8. Radiant heater surface cannot be covered and cannot hang objects on equipment.
9. The distance between back of radiant heater and roof should be larger than 150mm, cannot place objects within 1000mm distance in front of radiant heater, the side should be kept at least 200mm away from the surrounding space.
10. Must cut off power and wait till equipment surface cool before cleaning, flushed by water is prohibited.
11. Users cannot repair the radiant heater, if equipment failure and need maintenance, please contact authorized servicer.
12. Do not install and use radiant heaters on areas occur with flammable,

explosive, easy to shock.

13. Please do not insert any metal or foreign objects to inside of radiant heater, to avoid accident or personal injury.

14. Radiant heater panel surface with high temperature, the surface temperature can reach to $>50^{\circ}\text{C}\sim 386^{\circ}\text{C}$, touch is forbidden, beware of scalding accident.

15. Do not splash water into radiant heater to avoid accidents.

2. FOREWORD

Thank you for your trust and support in choosing the Infrared Heater, please read the instructions carefully before operating product.

3. INFRARED HEATER THEORY

Far-infrared radiant heaters are produced by unique design and manufacturing technique.

Using a specially coated aluminum panel, the heat generated by the heating element is transferred radiantly to people and objects with maximum efficiency.

The heat radiated from the panel surface, is absorbed by people, walls, floors, and furniture etc., like sunshine.

Infrared heating will not lead to air movement, making the air cleaner, as dust and particles are not disturbed and circulated. Traditional convection heating relies on air movement to distribute the heat.

The air remains less humid, and gives you a sense of fresh, comfortable, warmth-similar to the warmth felt from the sun.

4. PERFORMANCE FEATURES

Comfortable:

No wind, light or odor will be caused during the running of this product, so the indoor air is clean without floating dust.

Energy-saving:

High heat generation and excellent heat distribution, use less energy than traditional heating methods.

Reliable:

The indoor temperature can be adjusted freely, free of the limitation of heating season.

Physical therapy:

The heat radiant can change body microcirculation, cell organization under skin producing resonance, clearing the barrier of microcirculation, adjusting and balancing nervous system, promoting metabolism, increasing body physical power. It is very good for people's health.

Far-infrared radiant heaters are produced by unique design and manufacturing technique.

Using a specially coated aluminum panel, the heat generated by the heating element is transferred radiantly to people and objects with maximum efficiency.

The heat radiated from the panel surface, is absorbed by people, walls, floors, and furniture et cetera, like sunshine.

Infrared heating will not lead to air movement, making the air cleaner, as dust and particles are not disturbed and circulated. Traditional convection heating relies on air movement to distribute the heat.

The air remains less humid, and gives you a sense of fresh, comfortable, warmth-similar to the warmth felt from the sun.

5. WORKING CONDITION

Ambient temperature: -30°C ~ +40°C

Rated Voltage: 220-240V~

Rated frequency: 50Hz/60Hz

Relative humidity: less than 95%

6. INSTALLATION REQUIREMENTS**1. Qualified installer:**

The installation must be carried out by trained personnel.

2. Installation conditions:

(1) Supply voltage fluctuation range should be within $\pm 10\%$, if not, please revise before installation.

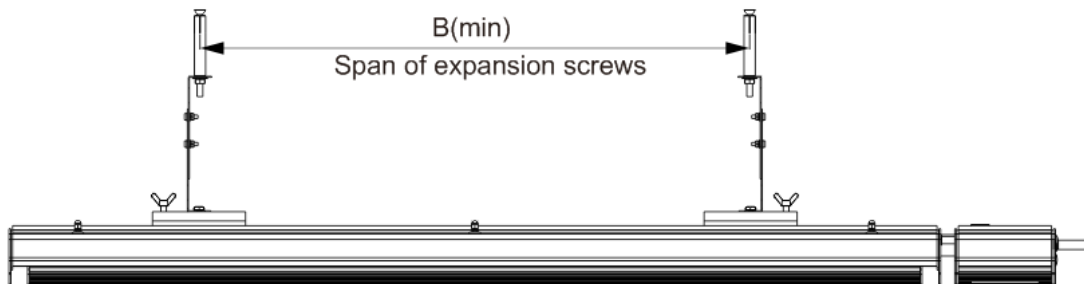
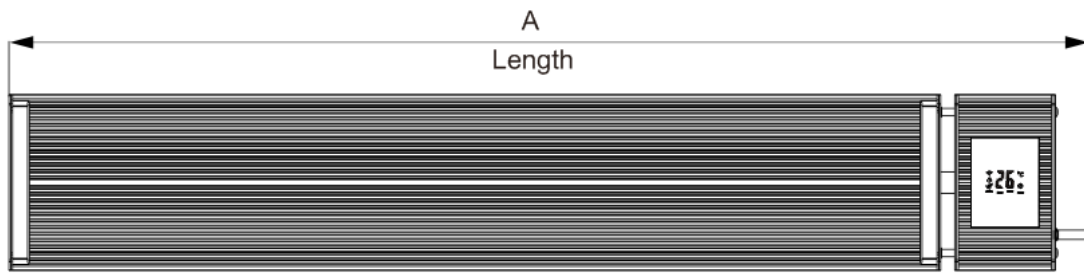
(2) If there is a serious security risk in users' electricity environment, the installation should be refused, until eliminate the security risks.

(3) Electricity lines should be equipped with earth leakage protection devices and master switch.

(4) Ground wire should be connected to the grounding device on the building, if not, please consult to professional installer, please do not put ground wire to gas pipe, water pipe, lightning rod or telephone grounding wire.

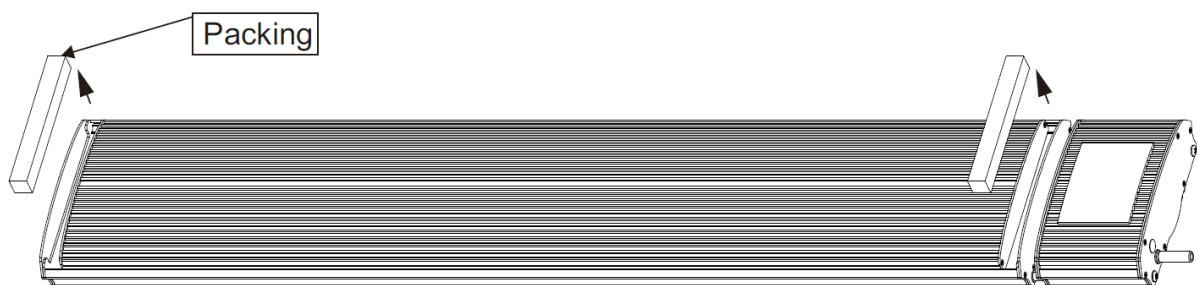
Model No.	Power(W)	Rated Current(A)	Voltage(V)	Cable length(mm)
JH-NR10-13W	1000	4.3	220-240	2000
JH-NR18-13W	1800	7.8	220-240	2000
JH-NR24-13W	2400	10.4	220-240	2000
JH-NR32-13W	3200	13.9	220-240	500

7. INSTALLATION INSTRUCTION

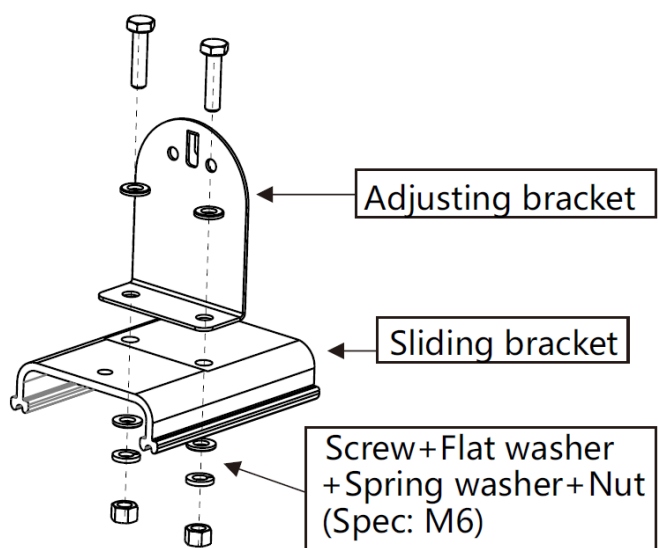


Model No.	Dimension A	Dimension B
JH-NR10-13W	755mm	200mm
JH-NR18-13W	1155mm	700mm
JH-NR24-13W	1655mm	1200mm
JH-NR32-13W	2155mm	1700mm

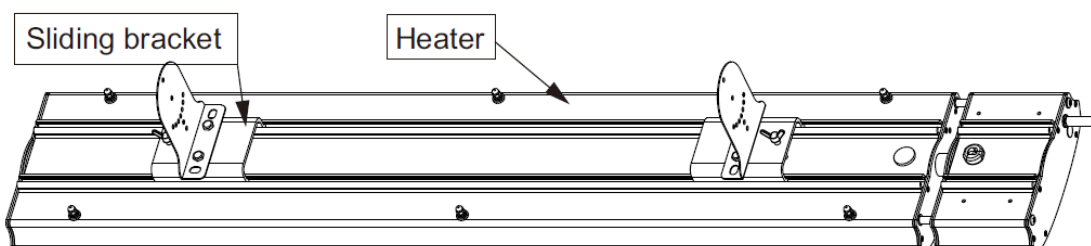
Step 1 : Remove packing of both ends of heater.



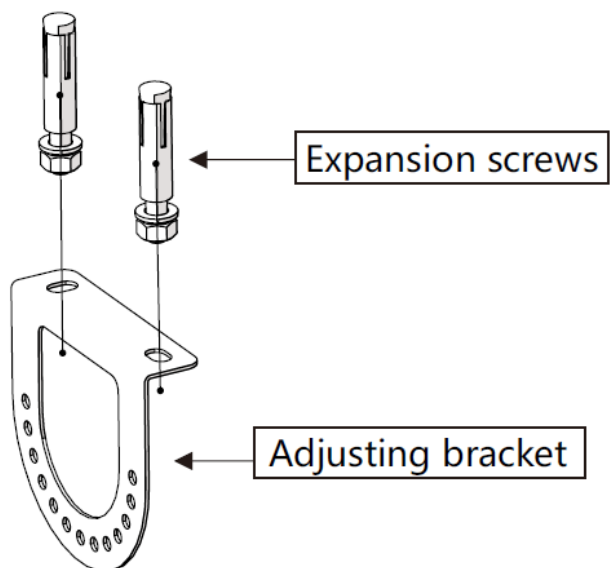
Step 2 : Connect adjusting bracket to sliding bracket.



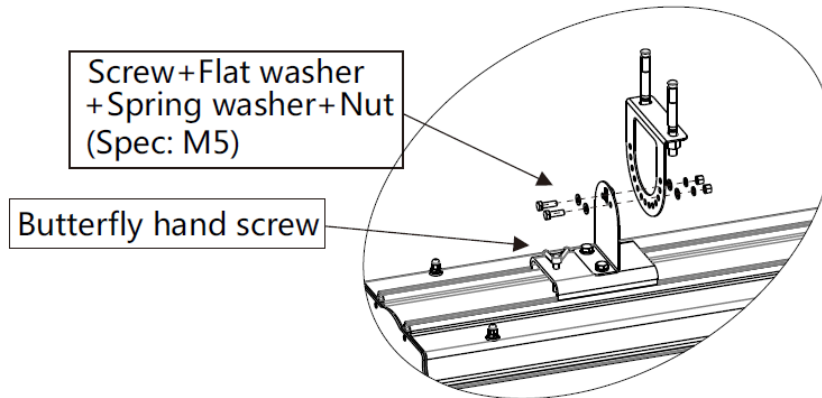
Step 3 : Installation of sliding bracket & heater, as arrow points.



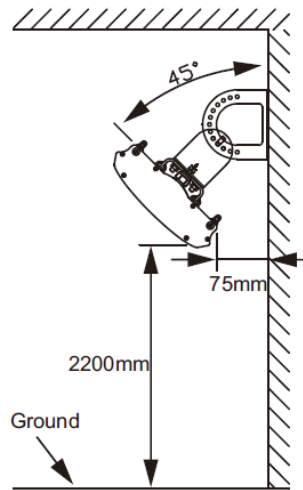
Step 4 : Fix adjusting bracket into the wall by expansion screws.



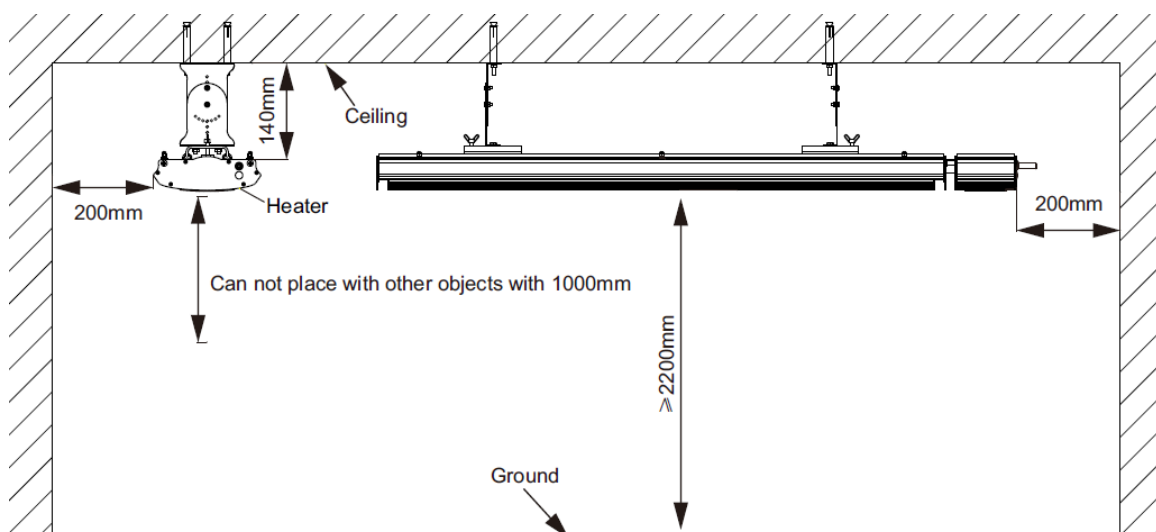
Step 5 : Installation of two adjusting brackets; make sure lock brackets tight by butterfly hand screw.



8. INSTALLATION DIAGRAM

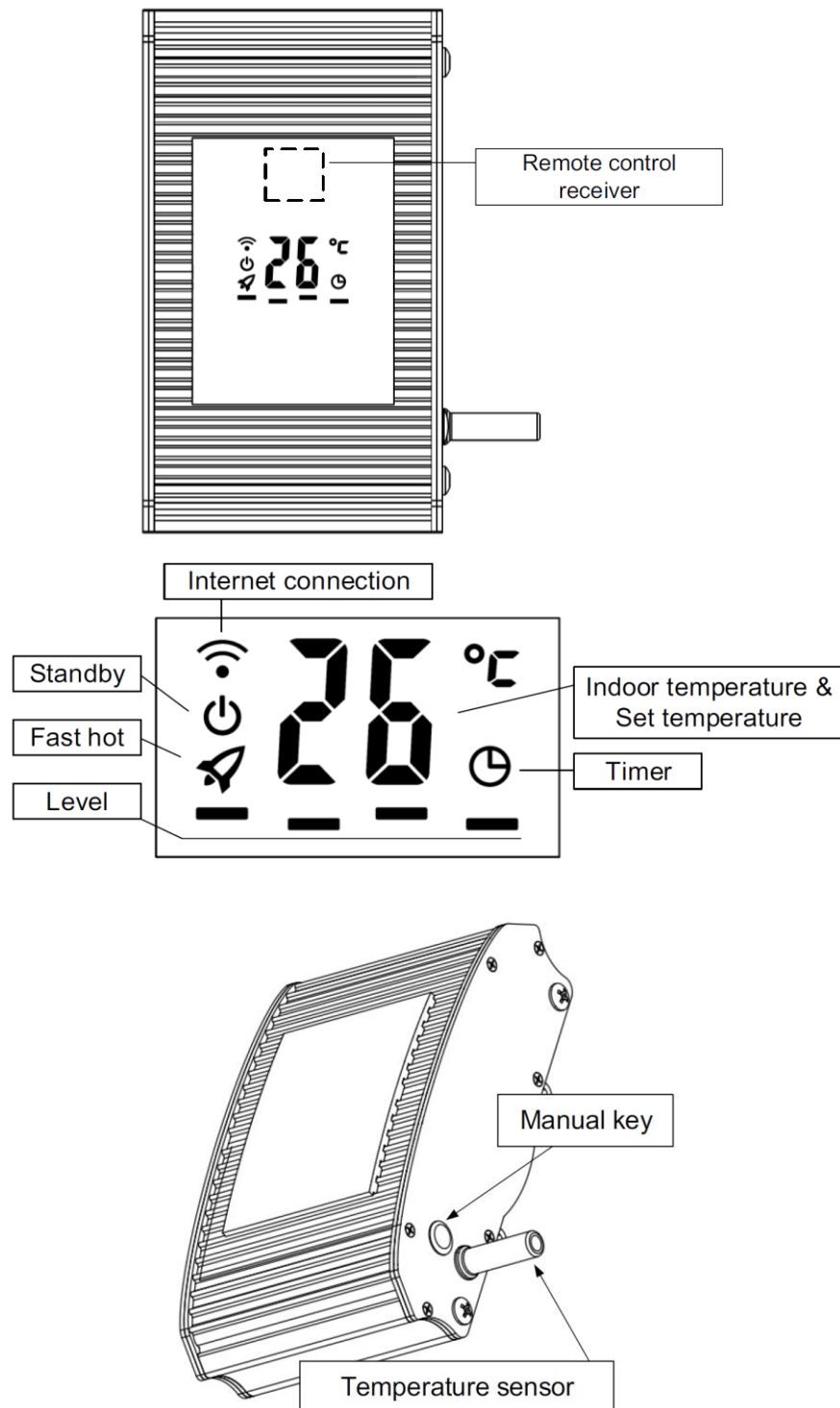


Install vertically in front



Ceiling installation

9. DISPLAY INTERFACE



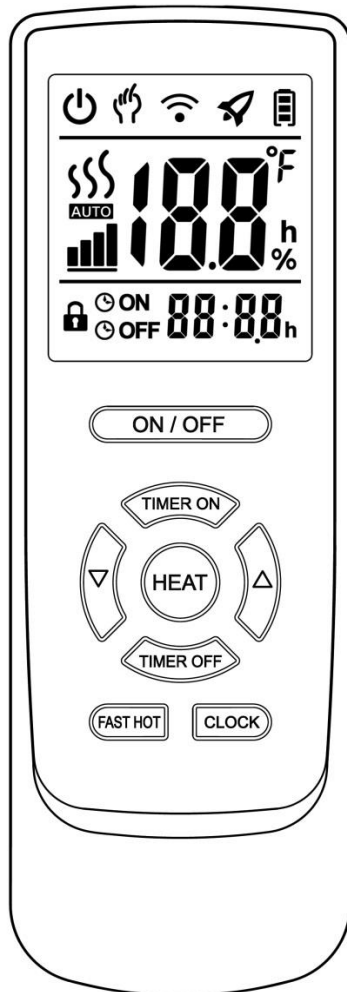
Manual Key

Press Manual Key button to turn on/off the heater, and set the heating level.
Long press Manual Key to pair the Wi-Fi network(details as chapter 11).

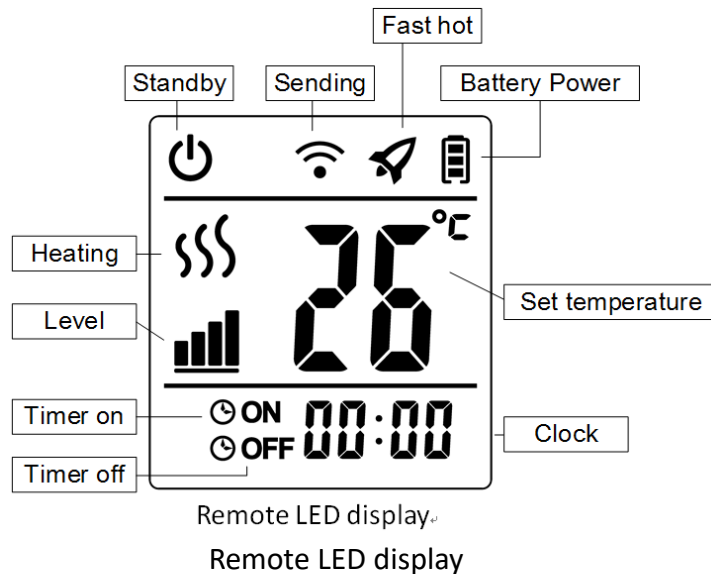
Indoor temperature sensor

Using it to collect indoor temperature.

10. MANUAL FOR REMOTE CONTROLLER



Remote appearance



Remote LED display

Remote LED display

1. ON/OFF button

Press ON/OFF button to turn on/off heater.

2. Clock button

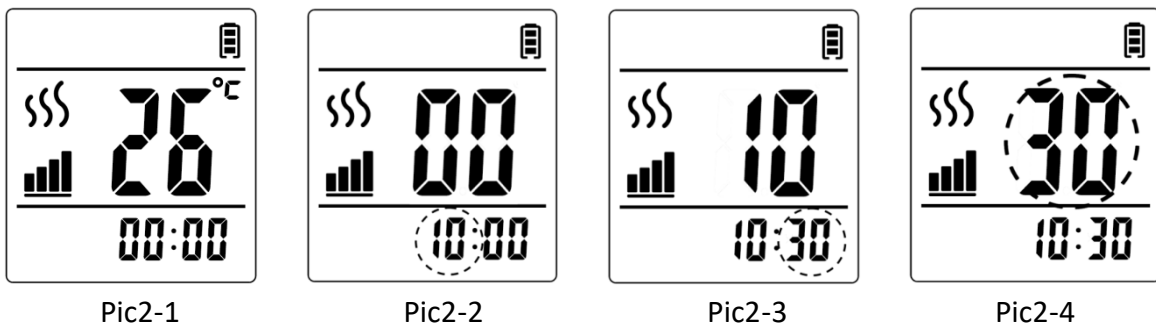
Remote is powered on(as show in picture 2-1), present time is 00:00, time setting as follow:

1)Press clock button, the hour will flash(as show in picture 2-2), press up or down button to change hour setting.

2)Press clock button, the minute will flash(as show in pictures 2-3), press up or down button to change hour setting.

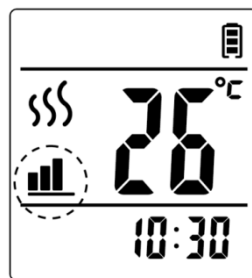
3)Press clock button, the second will flash(as show in picture 2-4), press up or down button to change hour setting.

4)Press clock button again, the second stop flashing and the setting is finished.



3. Heat button

Press level button to adjust the power when the heater is on(as show in picture 3-1).

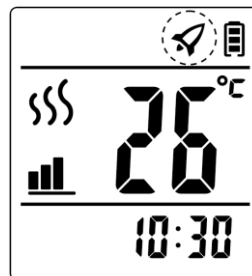


Pic3-1

4. Fast hot button

Press fast hot button to turn on/off fast hot function.

Fast hot function is to let the heater run at full power for a certain time, to achieve the purpose of rapid heating.



Pic4-1

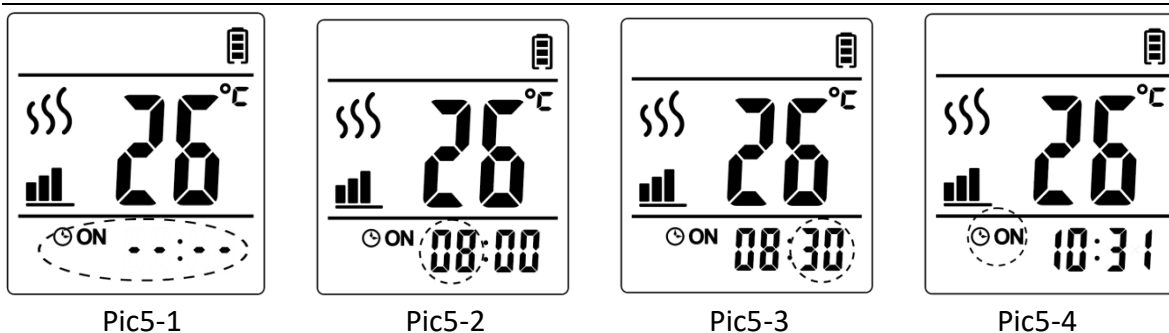
5. Timer on button

1)Press timer on button, it will show ON--:--(as show in picture 5-1).

2)Press up or down to change hour(as show in picture 5-2).

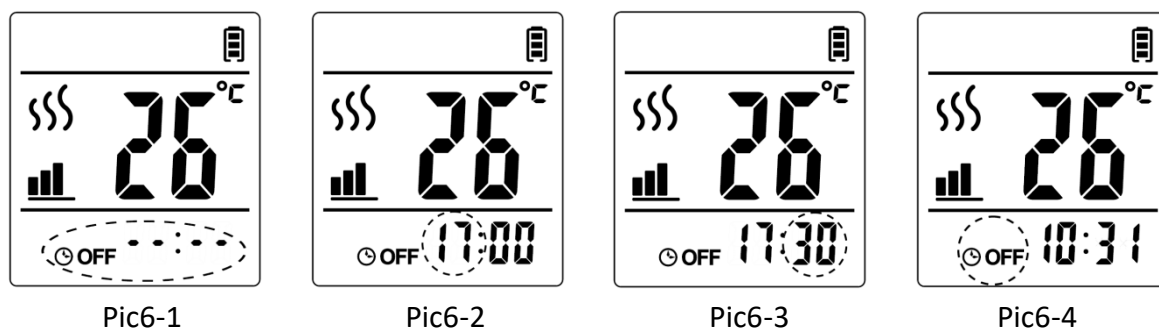
3)Press time on button again, hour stop shining and minute begin to shine, press up or down to change minute(as show in picture 5-3).

4)Press time on button again, timer on function finished. It will show the present time 16;30 and on. Time on setting finished(as show in picture 5-4).



6.Timer off

- 1) Press timer off button, it will show off--:--(as show in picture 6-1).
- 2) Press up or down to change hour(as show in picture 6-2).
- 3) Press time off button again, hour stop shining and minute begin to shine, press up or down to change minute(as show in picture 6-3).
- 4) Press time off button again, timer off function finished. It will show the present time 16:30 and off. Timer off setting finished(as show in picture 6-4).



11. CONNECT TO NETWORK

1. Download Tuya Smart App

Download Tuya Smart App from your smartphone (Google Play Store / App Store / AppGallery, etc.) or by scanning the following code.

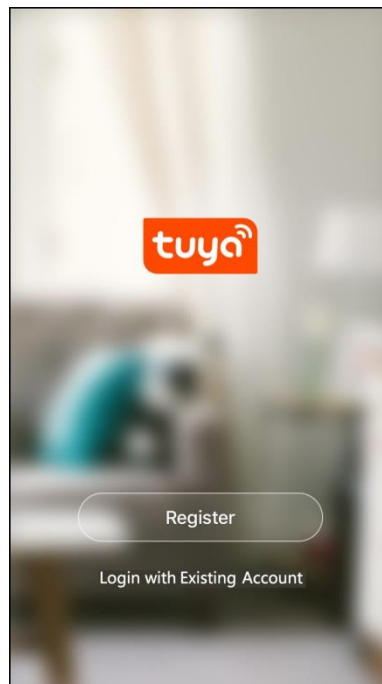


Or download Tuya Smart App from <https://smartapp.tuya.com/tuyasmart>

2. Register / Log in

Register an account via mobile number or email address.

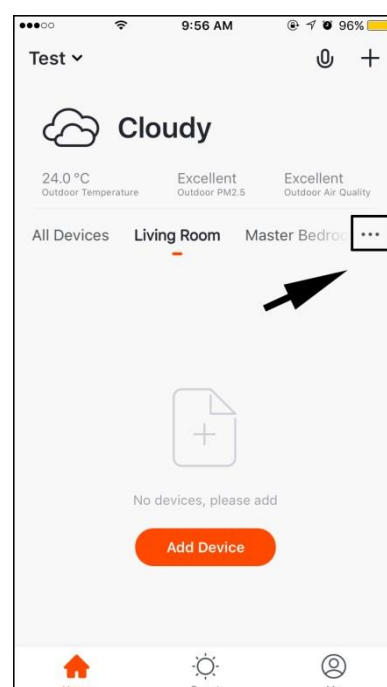
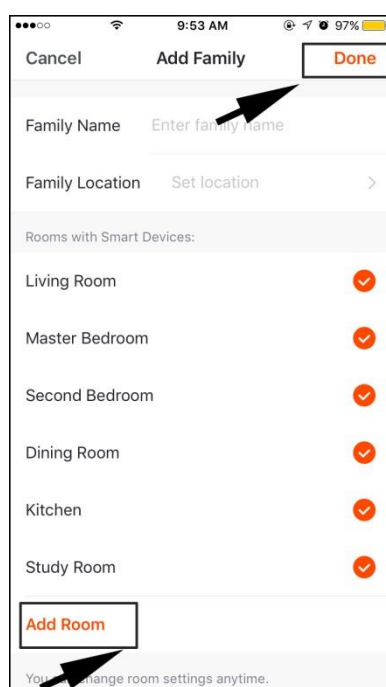
Log in with existing account if an account has already been set.



3. Home management

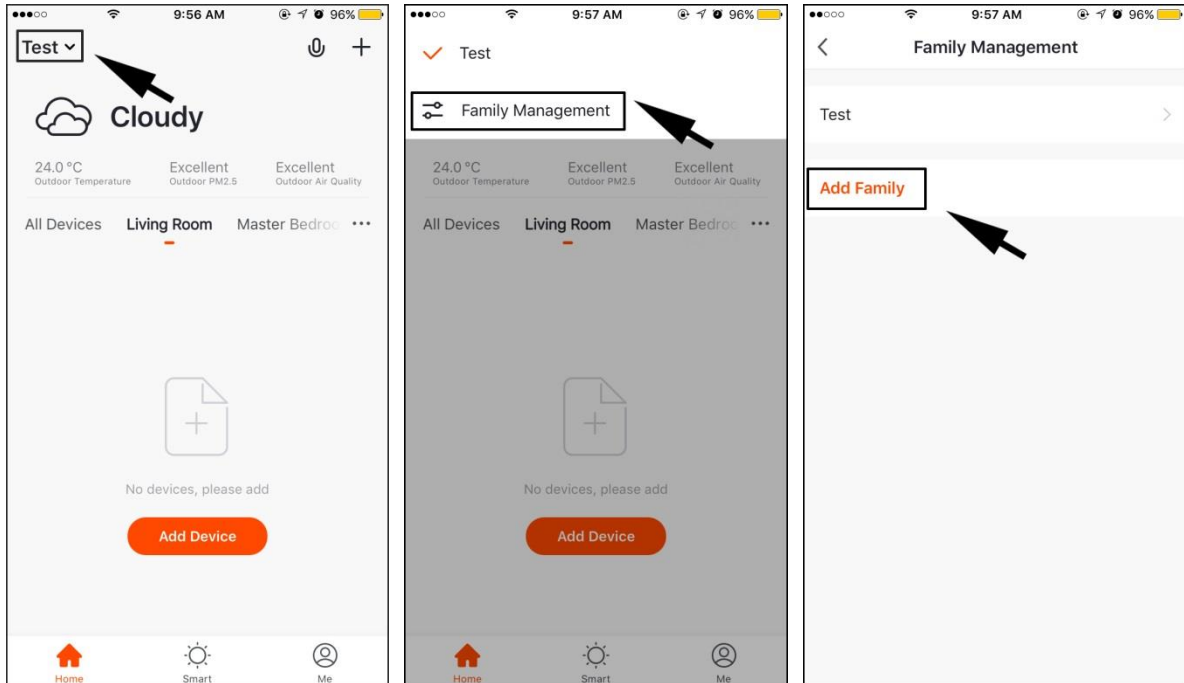
1. Click “Start your smart life” to “Add family”

2. Manually set a family name at “Add family”. Set location at the map interface and change the location by coordinate point.

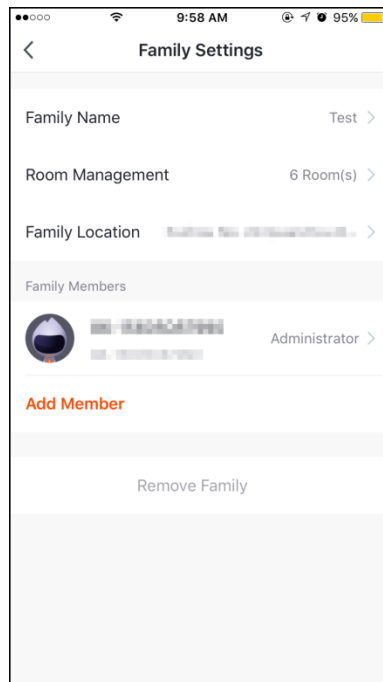


3. Click “Add Room” to add another room. By click “Done” to finish the room setting. And click “...” to proceed room management as needed.

Click “Home Management” to add family. One account can simultaneously control several families by selecting available devices at the family management page.

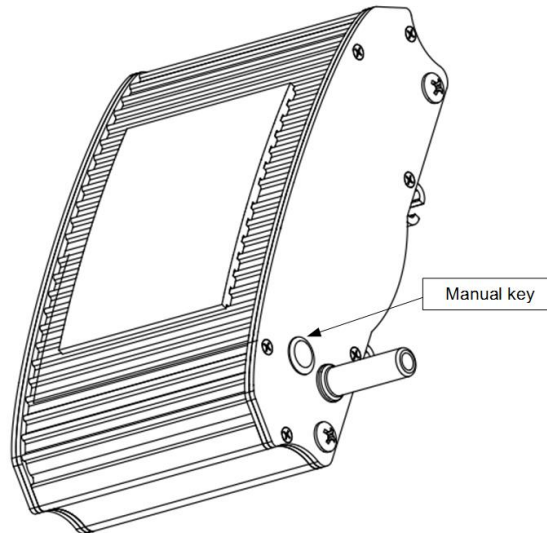


Click a family name to get into the “Family Settings” page and change the name, location and members as needed.

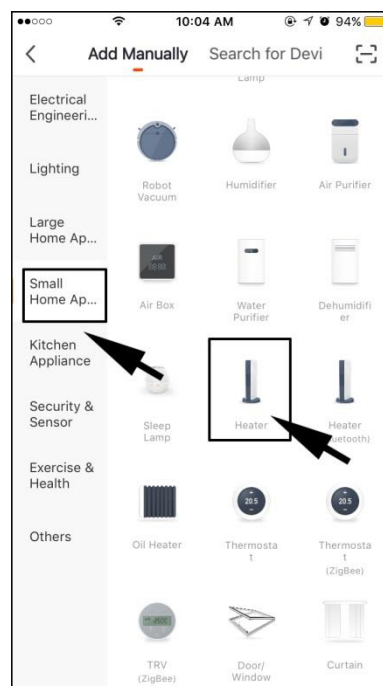
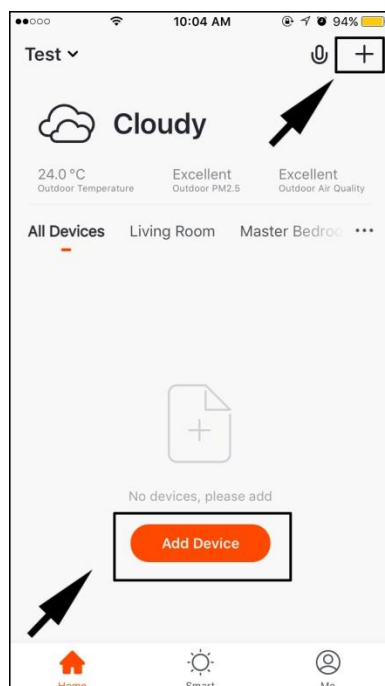


4. Add Devices

Keep pressing Manual Key over 8 seconds after power on, till heater has beep sounds and icon of Wi-Fi flashing (twice per second).

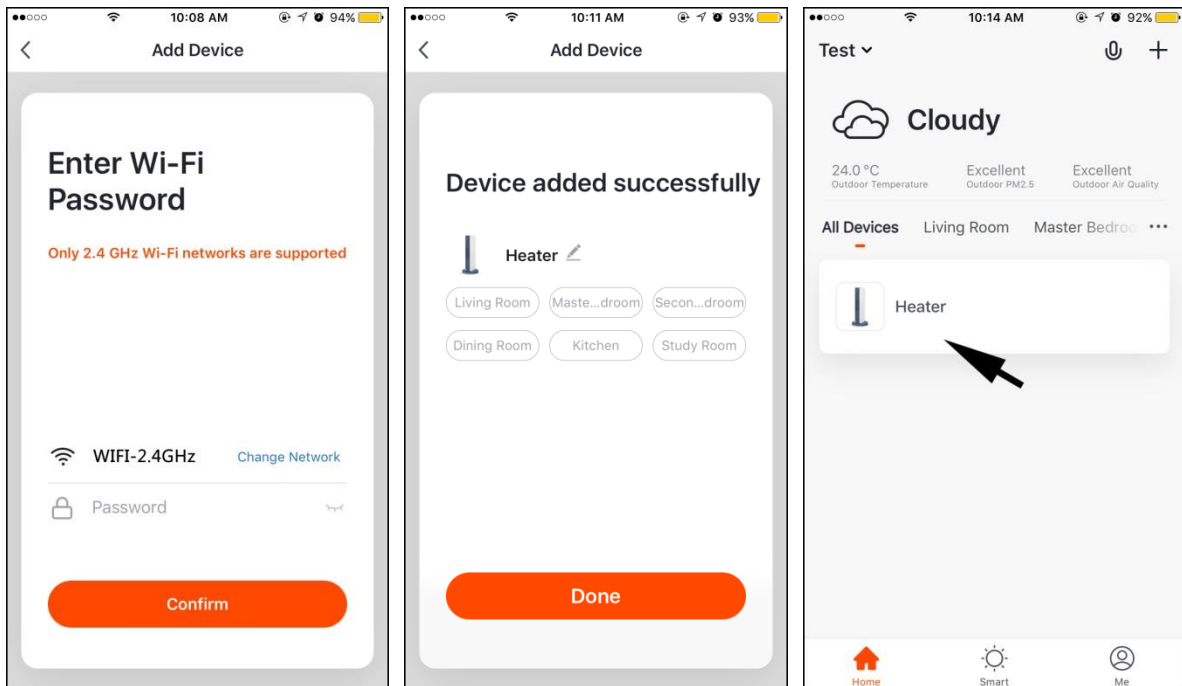


Click “add device” or “+” on the screen, find “Small Home Appliance”—“Heater”



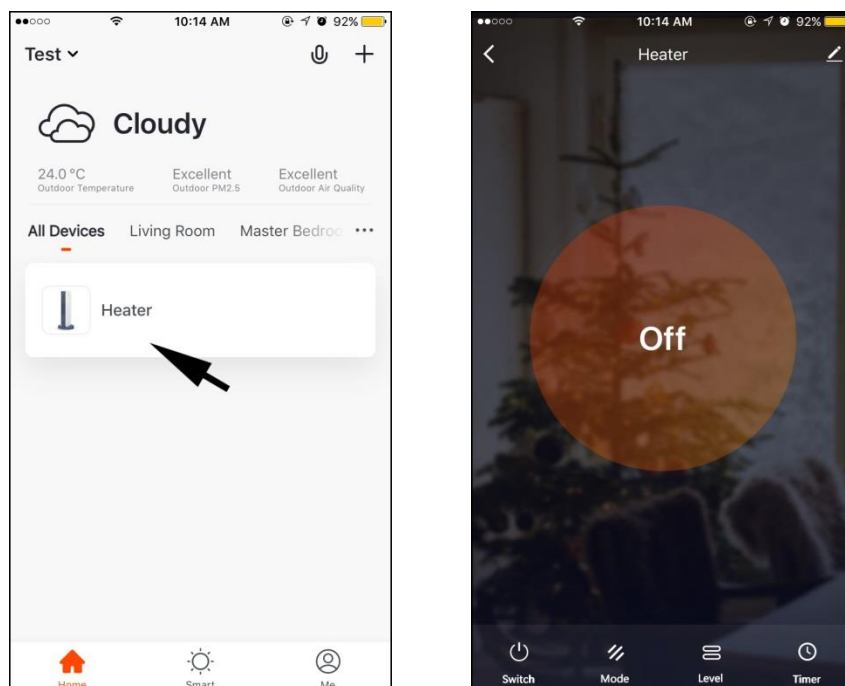
Press “Confirm indicator rapidly blink” and select a Wi-Fi signal nearby and enter Wi-Fi password to confirm the connection. Once the device added successfully, press “Done” to finish this procedure.

If failed, you need to re-add or search for help.



5. Using App to control heater

Once it's connected, you can use the App to control the heater.



Switch: Turn on / off heater.

Mode: Set Auto / Manual mode.

Auto mode: set temperature.

Manual mode: Set temperature at 40°C (Unchangeable).

Level: Change heating levels.

Level_1 : Heating at 25% power.

Level_2 : Heating at 50% power.

Level_3 : Heating at 75% power.

Level_4 : Heating at 100% power.

Fast Hot: Turn on / off fast heat mode.

Timer: Set upmost 30 time logs.

WIFI signal strength: Shows the Wi-Fi signal strength. It comes the best at 100.

Note:

(1) All the above pictures are under iOS system. There's a slight difference between Android system.

(2) All the indications are just for your reference.

12. INSPECTION ITEMS AFTER INSTALLATION

Items to be checked	Situation caused by improperly i Items to be checked installation
Is installation stable?	The equipment may fall off or shake.
Is heat insulation adequate?	Damage objects close to equipment.
Does power voltage same as voltage shown on product nameplate?	Equipment failure.
Does wire connection correct?	Equipment failure.
Does electricity ground connected safely?	There is electricity leakage risk.

13. ATTENTION

Due to thermal expansion and contraction, the heater would make noise when turning on or off. It's a normal phenomenon, and won't make bad affection.

14. INSPECTION ITEMS FOR COMMISSIONING

1. Do not connect power until installation is complete.
2. All wires connection are correct and firm.
3. All scattered objects must be removed from radiant heater body.
4. Connect power and check heater is operating correctly.

15. PACKING LIST

No.	Name	QTY
1	Heater	1 pc
2	Remote controller	1 pc
3	Adjusting bracket	1 set
4	Fastener	1 set
5	Sliding bracket	1 set

16. SPECIFICATIONS

Model No.	Dimension(mm)	Package size(mm)	Net weight(kg)	Gross weight(kg)
JH-NR10-13W	755*189*67	820*250*150	4.4	5.5
JH-NR18-13W	1155*189*67	1220*250*150	6.9	8.1
JH-NR24-13W	1655*189*67	1720*250*150	9.5	11.3
JH-NR32-13W	2155*189*67	2220*250*150	12.3	14.3